

16982

5/16 X 2.50 HEX EPDM/WASHER FULL BODY LAG



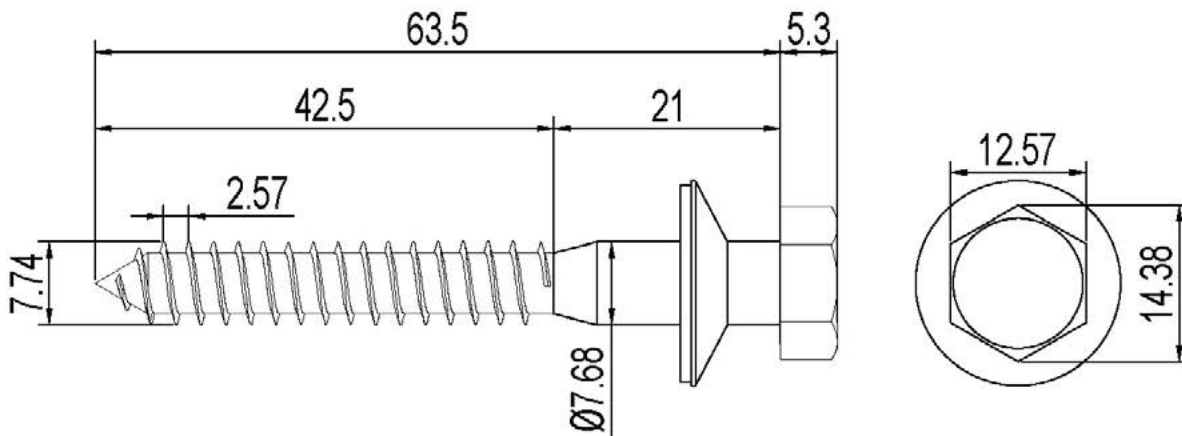
A DIVISION OF QUICKSCREWS INTERNATIONAL CORP

SPEC SHEET

Part #	Box Quantity	Screw Size
16982	72 Lag Screws	5/16" x 2½"



5/16 X 2.50 Hex EPDM Washer Full Body Lag



Tolerance Range																		
Baiting tolerance	±2 mm		<table border="1"> <tr> <td>Design</td> <td></td> <td>Scale</td> <td>Quantity</td> </tr> <tr> <td>Drawing</td> <td></td> <td>Material</td> <td>SUS304</td> </tr> <tr> <td>Confirm</td> <td></td> <td>Drawing No.</td> <td></td> </tr> <tr> <td>Verify</td> <td></td> <td>Finish</td> <td></td> </tr> </table>	Design		Scale	Quantity	Drawing		Material	SUS304	Confirm		Drawing No.		Verify		Finish
Design		Scale		Quantity														
Drawing		Material		SUS304														
Confirm		Drawing No.																
Verify		Finish																
Hole tolerance	±0.3 mm																	
Hole distance tolerance	±0.5 mm																	
Form tolerance	±2 mm																	
Thickness tolerance	±0.1 mm																	
Angle tolerance	±1° mm																	